

CHERRY MW 5500 Wireless Gaming Mouse

64420052-02_EN_ZHs_ZHt_KO_JA © Jun. 2026 [JW-05xx-xjxx = MD_JW_05_JW_05R]

EN OPERATING MANUAL

- ① Left Mouse Button
- ② Right Mouse Button
- ③ Scroll Wheel and Button
- ④ Status Indicator
- ⑤ Backward Side Button
- ⑥ Forward Side Button
- ⑦ USB Wireless Receiver [Storage]
- ⑧ Connection Mode Switch
- ⑨ USB and Charging Port
- ⑩ DPI Optical Sensor
- ⑪ DPI Button

Before You Begin

Every Device is Different!
The operating manual contains information on effective and reliable use.
<ul style="list-style-type: none">Read the operating manual carefully. Keep the operating manual and pass it on to other users when needed. This manual may not contain the most recent updates to our products as we continuously strive to improve your experience. For the latest operating instructions and product features, please visit CHERRY's official website.

CHERRY MW 5500 is a versatile tri-mode mouse, supporting 2.4 GHz wireless, Bluetooth 5.4, and USB cable connectivity, designed specifically to enhance your gaming experience.

For information on other products, software downloads and much more, visit us at www.cherry-world.com or www.cherry.de.

1 Safety Precautions

The mouse contains a permanent rechargeable battery. To avoid fire risks, do not disassemble, crush, heat, or incinerate the device.

Repetitive Strain Injury (RSI) is caused by small, repetitive movements during prolonged use of computers, keyboards, and mice.

- To prevent RSI, it is recommended to:
 - Ergonomically set up your workspace. Arrange your keyboard and mouse to keep your upper arms and wrists naturally positioned.
 - Incorporate short breaks into your routine, with stretching exercises as appropriate.
 - Adjust your position regularly to prevent strain.

2 Switching Mouse On / Off

- 2.1 Switching On Mouse**
- Connect the mouse to your computer using the provided USB cable.
 - Or
 - Slide the connection mode switch on the bottom of the mouse to the **Ⓚ** or **Ⓜ** position.

2.2 Switching Off Mouse

- Disconnect the USB cable.
- And
- Slide the connection mode switch to the [OFF] position.

2.3 Power Saving Modes

To maximize the battery lifespan, MW 5500 mouse incorporates two power-saving modes. When operating on battery, the mouse will transition to sleep or hibernation mode after a predetermined period of inactivity, during which the Status Indicator will deactivate.

- Move the mouse to wake it up from sleep mode.
- Press any mouse button to wake it up from hibernation mode. The Status Indicator resumes its function.

3 Connecting Mouse to Device

You can connect MW 5500 mouse to your computer or other compatible devices using the USB cable, Bluetooth, or the 2.4 GHz wireless receiver.

Behaviors of the Status Indicator vary with the connection status.

Status	Bluetooth	2.4 GHz
Waiting for Connection	Slow Flash Blue	Slow Flash White
Pairing	Fast Flash Blue	Fast Flash White
Connected	Stay On for 2 Seconds	Stay On for 2 Seconds

- 3.1 Connecting Mouse via USB Cable**
- Connect the mouse to your computer using the provided USB cable.
- Slide the connection mode switch to the [OFF] position.
- The Status Indicator shows the charging status (Refer to 8 Charging Mouse).

3.2 Connecting Mouse via Bluetooth

3.2.1 Enabling Bluetooth Mode

Slide the connection mode switch to the **Ⓚ** position. The mouse will attempt to reconnect to the previously paired device (refer to the next section). If no previous Bluetooth connection is available, the mouse enters the pairing mode automatically (refer to 3.2.4 Pairing with Device).

3.2.2 Reconnecting to Device

Once Bluetooth mode is activated, the mouse will try to reconnect to the previously paired device. Ensure the Bluetooth on your device is active and within proximity.

If reconnection fails, press any mouse button to try again or refer to 3.2.4 for re-pairing.

3.2.3 Connecting to New Device

For three connection to a new device, press and hold the three mouse buttons (Left, Right and Scroll Wheel Button) for 5 seconds to initiate the pairing process. If the Bluetooth channel has been occupied, the aforementioned method is necessary to pair the mouse with a new device.

3.2.4 Pairing with Device

- The mouse enters the pairing mode either automatically or when you press and hold the Left, Right and Scroll Wheel buttons for 5 seconds (refer to the details in the three sections above).
- MW 5500 mouse supports Swift Pair. If Swift Pair is activated on your device, you will receive a notification that a new Bluetooth device "MW 5500" has been detected. Simply click **Connect** in the pop-up notification to proceed.
- Alternatively, you can pair the mouse through the Bluetooth Settings by selecting "MW 5500" from the list of available Bluetooth devices.

3.3 Connecting Mouse via Wireless Receiver

MW 5500 Wireless Receiver supports 8K Polling Rate data transfer. Follow the steps below to connect your mouse using the 2.4 GHz wireless receiver.

- Slide the connection mode switch to the **Ⓜ** position.
- Take out the USB wireless receiver from the storage compartment on the bottom of the mouse.
- Insert the wireless receiver into a USB port on your computer. Ensure it is fully seated and secure.

3.4 Dealing with Connection Failures

If the connection attempt fails, the mouse will enter sleep (battery powered) or standby (USB powered) mode. Please try again or refer to 11 Troubleshooting Problems.

3.5 Pairing Wireless Receiver

Your mouse and wireless receiver come pre-paired for immediate use. If you would like to pair a replacement receiver or troubleshoot the wireless connection issues, follow these steps:

- Slide the connection mode switch to the **Ⓜ** position.
- Press and hold the three mouse buttons [Left, Right, and Scroll Wheel] until the Status Indicator starts fast flashing white.
- Insert the wireless receiver into a USB port on your computer.

4 Using Cross-device Function

MW 5500 mouse features a cross-device function, enabling users to seamlessly control multiple devices with a single mouse and keyboard. This feature is particularly beneficial for those who frequently switch between multiple devices, such as desktops, laptops, tablets, and mobile devices.

4.1 Setting Up Devices

Ensure that all the devices you want to use with this feature are connected to the same network (Wi-Fi or wired network). Adjust the firewall settings if necessary. Follow the steps below to set up your devices.

- Download and install CHERRY Software or App on all the computers and devices you want to connect.
- Identify one computer as the main control device and connect your mouse using the wireless receiver.
- Open the CHERRY Software and follow on-screen instructions to connect additional devices via Bluetooth.
- Adjust the settings such as screen alignment and file transfer preferences to suit your workflow.

Ensure that the main control computer is running the Windows operating system. Other devices in this setup can run mainstream operating systems, including Windows, macOS, iOS, and Android. All devices must meet Bluetooth interoperability requirements. Please check CHERRY's website to confirm if your device is supported.

4.2 Switching Devices

Move your mouse pointer across the screens of various devices as if they were part of a single system. When the mouse pointer reaches the edge of one screen, it will seamlessly transition to the adjacent device's screen. The keyboard input will also follow the mouse to the new device.

4.3 Sharing Information Across Devices

This innovative feature is designed to improve productivity by enabling users to carry out the following functions:

- Send files and texts across devices.
- Use the copy and paste commands to transfer files, images, or texts between devices.
- Mirror your phone or another computer's screen to your primary device.
- Use your tablet as an extended monitor.

5 Setting Mouse Sensitivity

You can utilize CHERRY Software to fine-tune key sensitivity parameters, including sensor resolution (DPI), polling rate, lift-off distance (LOD), and response time.

5.1 Changing DPI Settings

Press the DPI button to cycle through and select one of the six preset DPI levels. The Status Indicator flashes 3 times in a corresponding color to confirm the DPI change. The DPI value associated with each level can be configured using CHERRY Software. The mouse pointer moves faster with higher DPI values.

DPI Level	Default DPI Value	Color Indication
#1	400	Green
#2	600	Blue
#3 [Default]	800	Purple
#4	1200	Orange
#5	1600	Cyan
#6	3200	Red

5.2 **Changing Polling Rates**

The polling rate refers to how often your mouse reports its position to the computer per second. A higher polling rate allows the computer to respond more frequently and accurately to mouse movements, while a lower polling rate conserves battery power. MW 5500 features polling rates up to 8000Hz in 2.4 GHz wireless mode, and up to 1000Hz in wired mode. Use CHERRY Software to configure the polling rates.

5.3 Changing LOD

Lift Off Distance (LOD) is the height where the mouse sensor stops detecting movement when the mouse is lifted off from the tracking surface (such as a mouse pad or desktop), resulting in the on-screen pointer ceasing to respond. The LOD can be set to 0.7mm, 1mm (default), or 2mm.

6 Using CHERRY Software and Apps

To unleash the full potential of your MW 5500 mouse, install CHERRY Software on PCs and CHERRY App on mobile devices. CHERRY Software serves as a control center, allowing you to:

- Update the Software itself and the mouse's firmware.
- Facilitate seamless cross-device connectivity and functional collaboration.
- Create, record, and edit macros to streamline operas and gameplay.
- Assign keys, macros, text snippets, or system actions to mouse buttons.
- Precisely tune the performance parameters of the mouse to customize an exclusive control experience.

CHERRY Software is user-friendly and easy to navigate. Should you require further assistance, our customer support team is ready to help.

6.1 Installing CHERRY Software

Follow these instructions to install CHERRY Software:

- Always use the most recent version of the software. Accept updates when notifications appear.
- Download the free software from CHERRY's official websites: www.cherry-world.com or www.cherry.com.
- Select the driver software for MW 5500 mouse.
- Launch the installer after the download.
- Proceed with the installation by following the on-screen prompts.

6.2 Installing CHERRY App on Devices

Visit the App Store and download CHERRY App for your device. CHERRY App is available on Apple App Store and Google Play Store.

6.3 Updating Firmware

When a new firmware version is available, CHERRY Software will prompt you to update your mouse firmware. Keeping your firmware up to date is crucial for optimal mouse performance.

Please plug in the wireless receiver to make sure its firmware is also updated to the latest version.

Updating the Mouse Firmware in the Cable Mode
For a seamless firmware update, always connect your mouse to your computer using the USB cable. This ensures the update process is uninterrupted by potential battery depletion.

7 Choosing Mousepad Materials

You can optimize your gaming performance, including accuracy and speed, when you use the mouse on a proper surface. A smooth, clean, and non-slippping textured surface helps to improve the operation efficiency of the mouse and ensures that the mouse movement can be accurately detected.

8 Charging Mouse

Note: To ensure charging safety and product lifespan, it is recommended not using other fast charging devices to charge the mouse battery.

When the mouse battery is low, the Status Indicator fast flashes red. To charge your mouse, connect it to your computer using the provided USB cable. To speed up charging, use a USB 3.0 port on your computer. The Status Indicator flashes yellow during charging. It illuminates green steadily when the mouse battery is fully charged.

9 Resetting Mouse to Factory Defaults

Press and hold both side buttons and the left button for 3 seconds to restore the mouse to factory settings. The Status Indicator fast flashes green 3 times to confirm the reset has completed.

10 Cleaning Mouse

WARNING: Damage may occur due to using aggressive cleaning agents or letting liquid get into the mouse!

- Disconnect the USB cable and slide the connection mode switch to the [OFF] position.
- Clean the mouse with a slightly damp cloth and some mild detergent (such as washing-up liquid).
- Do not use solvents such as gasoline, benzene, alcohol, scouring agents or abrasive scourers for cleaning the mouse.
- Prevent any liquid from getting inside the mouse.
- Dry off the mouse with soft, lint-free cloth.

11 Troubleshooting Problems

- If you encounter any issues while operating the mouse, please try the following:
 - Power cycle the mouse by turning it off and then on again.
 - Use another USB port on your computer.
 - Verify the mouse's functionality by testing it with another computer.
 - Charge the mouse (refer to 8 Charging Mouse).

- Remove any metallic or electrical objects that may be causing interference, such as cables, loudspeakers, or USB hubs.
- Decrease the distance between the mouse and the computer to improve signal strength.
- If you experience interference with USB 3.0 devices located near the receiver, try using a different port that is farther away, an alternative cable, or a USB hub for either the receiver or the USB 3.0 device.

11.1 Troubleshooting Bluetooth Connection Failures

To ensure a stable Bluetooth connection for your mouse, please try the following:

- If your computer is in sleep mode, activate it manually as it cannot be awakened using Bluetooth devices.
- If the mouse has already been connected to another device, you cannot establish a parallel connection. Switch off the first device or deactivate the connection.

Managing Multiple Bluetooth Devices on Your Computer
Your computer has a finite capacity for active Bluetooth connections. Adding multiple devices may lead to profile conflicts or a shortage of available ports. It is important to be aware of your computer limitations to ensure seamless operation of all connected Bluetooth devices.

- Minimize interference by turning off any unnecessary Bluetooth devices.
- Remove the existing mouse connection in your Bluetooth settings and then re-add it as a new device to ensure a fresh connection.
- Update the Software itself and the mouse's firmware.
- Facilitate seamless cross-device connectivity and functional collaboration.
- Create, record, and edit macros to streamline operas and gameplay.
- Assign keys, macros, text snippets, or system actions to mouse buttons.
- Precisely tune the performance parameters of the mouse to customize an exclusive control experience.

CHERRY MW 5500 是一款多功能三模鼠標，支持 2.4 GHz 無線、藍牙 5.4 和 USB 線纜連接，專為提升遊戲體驗而設計。

11.2 Troubleshooting Wireless Connection Failures

- Ensure the receiver is positioned in a USB port nearest to the mouse to minimize distance and signal interference. Using a USB extension cable can help position the receiver optimally.
- Identify and remove potential sources of interference that may affect signal strength, such as other wireless devices or physical obstructions.
- Ensure that the mouse and receiver have the latest drivers and firmware installed, which can resolve compatibility and performance issues.
- Re-pair the receiver with the mouse to re-establish a stable connection. For detailed instructions, refer to 3.5 Pairing Wireless Receiver.

12 Disposing of Devices

- Do not dispose of devices with this symbol in household waste.
- Dispose of devices in accordance with statutory regulations at your local dealer or at municipal recycling centers.

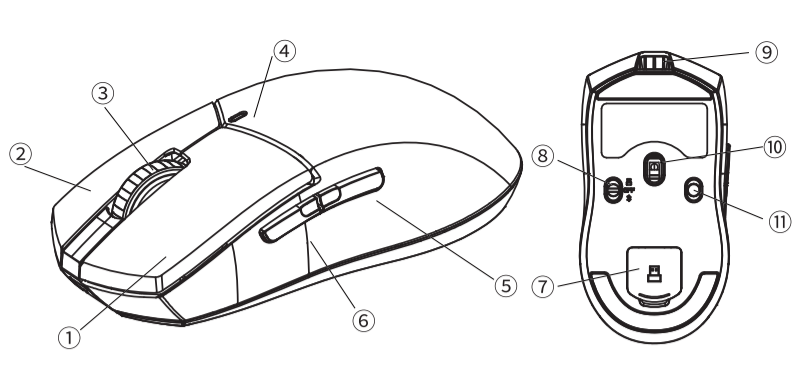
13 Technical Data

Designation	Value
Supply Voltage	Mouse: 5.0 VDC ± 5% SELV <p>Receiver: 5.0 VDC ± 5% SELV</p>
Charging Voltage	Typical 5.0 VDC
Charging Current	Max. 3.3 A
Current Consumption	Max. 3.5 A
Battery	Rechargeable Lithium-ion Battery, 600 mAh, 3.7V
Operating Frequency	2400.0 ... 2480.0 MHz
Effective Radiated Power	Max. 4 mW [EIRP]
Bluetooth	5.4
Storage Temperature	-40 °C ... +85 °C
Operating Temperature	0 °C ... +40 °C

14 Contact

For Europe
Cherry Europe GmbH
Cherrystraße 2
91275 Auerbach/Opf.
Germany
Internet: www.cherry-world.com or www.cherry.de

For USA
Cherry Americas
9522 5th Place
Suite 100
Kenosha, WI 53144
USA
Internet: www.cherry-world.com or www.cherry.de



在开始操作之前

设备各不相同！
从操作手册中您可以获取有关可靠操作选项的说明。

- 请仔细阅读操作手册。
- 请妥善保管操作手册，必要时将其转交给其他用户。
- 本操作手册可能不包含产品的最新更新，因为我们不断努力改善您的体验。要获取最新的操作手册和产品功能，请访问 CHERRY 官方网站。

- Minimize interference by turning off any unnecessary Bluetooth devices.
- Remove the existing mouse connection in your Bluetooth settings and then re-add it as a new device to ensure a fresh connection.
- Update the Software itself and the mouse's firmware.
- Facilitate seamless cross-device connectivity and functional collaboration.
- Create, record, and edit macros to streamline operas and gameplay.
- Assign keys, macros, text snippets, or system actions to mouse buttons.
- Precisely tune the performance parameters of the mouse to customize an exclusive control experience.

CHERRY MW 5500 是一款多功能三模鼠標，支持 2.4 GHz 無線、藍牙 5.4 和 USB 線纜連接，專為提升遊戲體驗而設計。

1 安全措施

鼠標內置有可充電電池，電池不可拆卸。為避免火災風險，請勿拆卸、擠壓、加熱或焚燒設備。
重要：請勿拆卸、擠壓、加熱或焚燒設備。
重要：請勿拆卸、擠壓、加熱或焚燒設備。
重要：請勿拆卸、擠壓、加熱或焚燒設備。

CHERRY Software is user-friendly and easy to navigate. Should you require further assistance, our customer support team is ready to help.

6.1 Installing CHERRY Software

- Always use the most recent version of the software. Accept updates when notifications appear.
- Download the free software from CHERRY's official websites: www.cherry-world.com or www.cherry.com.
- Select the driver software for MW 5500 mouse.
- Launch the installer after the download.
- Proceed with the installation by following the on-screen prompts.

- Do not dispose of devices with this symbol in household waste.
- Dispose of devices in accordance with statutory regulations at your local dealer or at municipal recycling centers.

2 打开 / 关闭鼠标电源

2.1 打开鼠标电源

- 使用随附的 USB 线缆连接鼠标与电脑。
- 或者
- 将鼠标底部的连接模式开关滑动到 **Ⓚ** 或 **Ⓜ** 位置。

移动鼠标，可将其从睡眠模式中唤醒。按下任意鼠标按键，可将鼠标从休眠模式中唤醒。状态指示灯恢复其功能。

- 将连接模式开关滑动到 [OFF] 位置。

2.3 省电模式

为延长电池使用寿命，MW 5500 鼠标设有两种节能模式。在使用电池供电时，鼠标会在预设的空闲时间后自动进入睡眠或休眠状态。此时状态指示灯将关闭。

移动鼠标，可将其从睡眠模式中唤醒。按下任意鼠标按键，可将鼠标从休眠模式中唤醒。状态指示灯恢复其功能。

3 连接鼠标与设备

MW 5500 鼠标可以通过 USB 线缆、蓝牙或 2.4 GHz 无线接收器连接到电脑或其他兼容设备。

状态指示灯的行为随连接状态的不同而变化。

状态	蓝牙	2.4 GHz
待连接	慢闪 蓝色	慢闪 白色
配对中	快闪 蓝色	快闪 白色
已连接	长亮 2 秒	长亮 2 秒

- 3.1 通过 USB 线缆连接鼠标**
 - 使用随附的 USB 线缆连接鼠标与电脑。
 - 将连接模式开关滑动到 [OFF] 位置。
 - 状态指示灯显示充电状态（参见 8 给鼠标充电）。
- 3.2 通过蓝牙连接鼠标**
 - 3.2.1 启用蓝牙模式**
 - 将连接模式开关滑动到 **Ⓚ** 位置。鼠标将尝试重新连接之前配对的设备（参见下一小节）。如果没有之前的蓝牙连接可用，鼠标将自动进入配对模式（参见 3.2.4 与设备配对）。
 - 3.2.2 重连（回连）设备**
 - 激活蓝牙模式后，鼠标将尝试与之前配对的设备重连。请确保设备已启用蓝牙且处于邻近范围内。
 - 如果重连失败，将鼠标的任意按键再次尝试或参见 3.2.4 进行重新配对。

- 3.2.4 与设备配对**
 - 鼠标会自动进入配对模式，或者您可以同时按住鼠标左键、右键和滚轮键 5 秒钟来手动进入配对模式（参见上面三小节的描述）。
- MW 5500 鼠标支持快速配对功能。如果您的设备已激活快速配对，您将收到通知，提示已检测到新蓝牙设备“MW 5500”。只需单击通知中的“**连接**”按钮即可开始配对。
- 或者，您也可以从可用蓝牙设备列表中选择“MW 5500”，通过蓝牙设置配对鼠标。

3.3 通过无线接收器连接鼠标

MW 5500 的无线接收器支持 8K 报告率的数据传输。按照以下步骤使用 2.4 GHz 无线接收器连接鼠标：

DPI 档位	默认 DPI 数值	颜色指示
#4	1200	橙色
#5	1600	青色
#6	3200	红色

5.2 更改报告率

报告率是指鼠标每秒向电脑报告其位置的频率。较高的报告率可使电脑更频繁、更准确地响应鼠标移动，而较低的报告率可节省电池电量。

MW 5500 在 2.4 GHz 无线模式下报告率可达 8000Hz，有线模式下可达 1000Hz。可通过 CHERRY 软件配置报告率。

5.3 更改静默高度

静默高度 (LOD) 是鼠标从跟踪表面（例如鼠标垫或桌面）抬起时鼠标传感器停止侦测移动的高度。此时屏幕指针将产生响应。静默高度可以设置为 0.7 毫米、1 毫米（默认值）或 2 毫米。

6 使用 CHERRY 软件及应用程序

要释放 MW 5500 鼠标的全部潜能，建议在电脑上安装 CHERRY 软件，并在移动设备上安装 CHERRY 应用程序。CHERRY 软件是一个功能强大的控制中心，您可以通过它进行以下操作：

- 更新软件本身和鼠标固件。
- 支持跨设备无缝连接与功能协同。
- 创建、录制和编辑宏以简化操作和提高游戏体验。
- 将鼠标按键功能定义为键盘按键、宏、文本片段或系统操作指令。
- 深度调控鼠标性能参数，定制专属操控体验。

CHERRY 软件对用户友好，操作便捷。如需进一步帮助，我们的客户支持团队随时待命。

6.1 安装 CHERRY 软件

请按照以下步骤安装 CHERRY 软件：

- 始终使用软件的最新版本。当出现更新提示时，立即更新软件。
- 从 CHERRY 官方网站下载免费软件：www.cherry.cn/cherry_fusion 或 www.cherry-world.com。
- 选择适用于 MW 5500 鼠标的驱动程序。
- 下载完成后，运行安装程序。
- 根据安装向导的指示完成安装步骤。

6.2 在设备上安装 CHERRY App

访问应用程序，为你的设备上下载 CHERRY 应用程序。CHERRY 应用程序可在苹果应用商店和谷歌 Play 商店中获取。

6.3 更新固件

当有新的固件版本可用时，CHERRY 软件将提示您更新鼠标固件。为了确保最佳性能，建议您保持固件处于最新版本。

请插入无线接收器，确保其固件也已更新至最新版本。

在有线连接模式下更新鼠标固件
为确保稳定的固件更新，建议您在更新 USB 线缆将鼠标连接到电脑。这样可以避免因电池耗尽而导致更新中断。

7 选择鼠标材质

在合适的表面上使用鼠标，可以优化电竞表现，包括准确性和速度。平整、干净、防滑的纹理表面有助于提高鼠标的操作效率，并确保鼠标垫的移动能够被准确检测。

8 给鼠标充电

注意：为确保充电安全及产品寿命，不建议使用其他快速充电设备给鼠标电池充电。

5 設定消鼠靈敏度

您可以使用 CHERRY 軟體來微調關鍵的靈敏度參數，包括感應器分辨率 (DPI)、回報率、靜默高度 (LOD) 以及反應時間。

5.1 更改 DPI 設定

按下 DPI 按鍵，將當前切換個預設的 DPI 檔位。狀態指示燈會以相應的顏色閃爍三次，以確認 DPI 已更改。每個 DPI 檔位所對應的 DPI 數值可以使用 CHERRY 軟體進行設定。DPI 值越高，消鼠指標移動速度越快。

DPI 檔位	預設 DPI 數值	顏色顯示
#1	400	綠色
#2	600	藍色
#3 預設	800	紫色
#4	1200	棕色
#5	1600	青色
#6	3200	紅色

5.2 更改回報率

回報率是指滑鼠每移動角度報告其位置的頻率。較高的回報率可使電腦更頻繁、更準確地回應滑鼠移動，而較低的回報率可節省電池電量。

MW 5500 在 2.4 GHz 無線模式下回報率可達 8000Hz，有線模式下可達 1000Hz，可通過 CHERRY 軟體設定回報率。

5.3 更改靜默高度

靜默高度 (LOD) 是滑鼠從追蹤表面 (例如滑鼠墊或者桌面) 抬離時消鼠感應器停止偵測移動的高度。此時當感應器停止反應，靜默高度可以設定為 0.7 毫米、1 毫米 (預設值) 或 2 毫米。

6 使用 CHERRY 軟體及應用程式

要釋放 MW 5500 滑鼠的全部潛能，建議在電腦上安裝 CHERRY 軟體，並在移動裝置上安裝 CHERRY 應用程式。CHERRY 軟體是一個功能強大的控制中心，您可以透過它進行以下操作：

- 更新軟體本身和滑鼠軟體。
- 支援軟體安裝無縫與系統兼容。
- 建立、錄製和編輯相互簡化操作和提高遊戲表現。
- 將滑鼠按鍵功能定義為鍵盤按鍵、耳塞、文字片段或系統操作功能。
- 深度調控滑鼠性能參數，客製化專屬觸控體驗。

CHERRY 軟體對使用者友好，操作方便。如圖進一步協助，我們的客戶支援團隊隨時待命。

6.1 安裝 CHERRY 軟體

請依照以下步骤安裝 CHERRY 軟體：

- 開始更新軟體的最新版本。當出現更新提示時，立即更新。
- 從 CHERRY 官方網站下載免費軟體：www.cherry-world.com 或 www.cherry-world.tw。

選擇適用於 MW 5500 滑鼠的驅動軟體。

- 下載完成後，執行安裝程式。
- 依照安裝精靈的指示完成安裝步驟。
- 在裝置上安裝 CHERRY App**

訪問應用商店，為您的裝置下載 CHERRY 應用程式。CHERRY 應用程式可在蘋果應用商店和谷歌 Play 商店中獲取。

6.3 更新軟體

當有新的軟體版本可用時，CHERRY 軟體會提示您更新滑鼠軟體。為了確保保持最佳效能，建議您保持軟體處於最新狀態。

請插入無線接收器，確保其軟體也已更新至最新版本。

<div><div><div><div><div></div></div></div><div><div><div></div></div><div><div></div></div></div><div><div><div></div></div><div><div></div></div></div><div><div><div></div></div><div><div></div></div></div></div></div>	在連接線模式下更新滑鼠軟體
---	----------------------

為確保穩定的軟體更新，請始終使用 USB 連接線將滑鼠連接到電腦。這樣可避免因電池耗盡而導致更新中斷。

7 選擇滑鼠墊材質

在合適的表面上使用滑鼠，可以優化電鏡表現，包括響應性和速度、平整、乾淨、防滑的紋理表面有助於提高滑鼠的操作效率，並確保滑鼠的移動能夠被準確檢測。

8 為滑鼠充電

注意：與確保充電安全和產品壽命，不建議使用其他快速充電裝置為滑鼠電池充電。

- 當滑鼠電池電量充足時，狀態指示燈會閃爍紅色。要為滑鼠充電，請使用隨附的 USB 連接線將其連接到電腦。為加快充電速度，請使用電腦上的 USB 3.0 連接埠。在充電過程中，狀態指示燈閃爍黃色。當滑鼠電池充滿後，狀態指示燈變亮綠色。

9 將滑鼠恢復後再出廠設定

長按兩個側鍵約 3 秒鐘，可將滑鼠恢復至原廠預設設定。狀態指示燈閃爍綠色 3 次，確認設定已完成。

10 清潔滑鼠

請注意：使用腐蝕性清潔劑或液體灑入滑鼠可能會造成嚴重損壞！

- 斷開 USB 連接線，並將連接模式開關滑動到 (OFF) 位置。
- 使用略微潤滑的清潔布及柔和的清潔劑 (例如無酒精清潔劑) 來清潔滑鼠。
 - 不要使用汽油、苯、酒精、擦洗劑或研磨劑等清潔劑清潔滑鼠。
 - 防止液體灑入滑鼠。
- 用柔軟不掉毛的布擦乾滑鼠。

11 疑難排解

遇到滑鼠使用問題時，請嘗試以下操作：

- 關閉滑鼠電源後重新開啓。
- 使用電腦上不同的 USB 連接埠。
- 在另一台電腦上測試驗證滑鼠功能。
- 為滑鼠充電 (參閱 8 為滑鼠充電)。
- 移除可能造成干擾的金屬或電線物體，如連接線、揚聲器或 USB 集線器。

- 縮小滑鼠和電腦之間的距離以增強訊號強度。
- 如果 USB 3.0 裝置在接收器附近造成乾擾，請嘗試使用 3.0 裝置的連接埠。直接連接線、接收器或使用 3.0 裝置的 USB 集線器。

11.1 排解藍牙連接故障

為確保滑鼠能保持穩定的藍牙連接，請嘗試以下操作：

- 關閉藍牙功能，然後重新開啟。
- 如果無法喚醒顯示，手動喚醒它，因為藍牙裝置需要喚醒。
- 如果無法喚醒顯示，手動喚醒它，因為藍牙裝置需要喚醒。

如果藍牙已連接到另一個裝置，則無法建立並行連接。關閉正在使用的裝置或禁用其連接。

<div><div><div><div></div></div></div><div><div><div></div></div><div><div></div></div></div><div><div><div></div></div><div><div></div></div></div></div>

電腦對活躍藍牙連接的容量有限。過多裝置可能會導致設定衝突或可用連接埠不足。

了解電腦的局限性，以確保所有連接的藍牙裝置正常運作。

- 關閉不必要的藍牙裝置，減少干擾。
- 刷新連接，在裝置設定中刪除現有滑鼠連接並重新添加。

11.2 排解無線連接故障

- 確保接收器位於離滑鼠最近的 USB 連接埠，減少距離可減少乾擾。使用 USB 延長線優化接收器位置。
- 識別並消除可能影響訊號強度的干擾源，如其他無線裝置或實體障礙。
- 確保滑鼠和接收器安裝了最新驅動程式和韌體，解決兼容性问题和效能。
- 重新安裝接收器和滑鼠，建立穩定連接。有關詳細說明，請參閱 3.5 配對無線接收器。

12 處理廢棄裝置

- 不得將具有此符號的裝置置入生活垃圾一起廢棄處理。
- 根據法律規定，在您的經銷商處或市政收集點棄棄處理該裝置。

13 技術參數

名稱	數值
額定電壓電流	5VDC – 3A
電源電壓	滑鼠：5.0 VDC ± 5% SELV 接收器：5.0 VDC ± 5% SELV
充電電壓	典型值 5.0 VDC
充電電流	最大 3.3 A
功耗	最大 3.5 A
電池	可充電鋰離子電池，600 mAh, 3.7V
工作頻率	2400.0 ~ 2480.0 MHz
有效輻射功率	最大 4 mW (EIRP)
藍牙	5.4
工作溫度	-40 °C ~ +85 °C
存儲溫度	0 °C ~ +40 °C

14 聯絡方式

Cherry Europe GmbH
Cherrystraße 2
91275 Auerbach/OPf.
德國
網址：www.cherry-world.com 或 www.cherry-world.tw

15 NCC 低功率射頻器材審計

- 取得審驗證明之低功率射頻器材，非經核准，公、商號或使用者均不得擅自變更頻率、加大功率或變更原設計之特性及功能。
- 低功率射頻器材之使用不得影響飛航安全及干擾合法通信；經發現有干擾現象時，應立即停用，並改善至無干擾時方得繼續使用。
- 前述合法通信，指依電信管理法規作業之無線電通信。
- 低功率射頻器材須符合合法通信或工業、科學及醫療用電波輻射性電機裝置之干擾。

7 選擇滑鼠墊材質

在合適的表面上使用滑鼠，可以優化電鏡表現，包括響應性和速度、平整、乾淨、防滑的紋理表面有助於提高滑鼠的操作效率，並確保滑鼠的移動能夠被準確檢測。

8 為滑鼠充電

注意：與確保充電安全和產品壽命，不建議使用其他快速充電裝置為滑鼠電池充電。

- ① 馬우스 왼쪽 버튼
- ② 馬우스 오른쪽 버튼
- ③ 스크롤 휠 및 버튼
- ④ 상태 표시등
- ⑤ 뒤로 측면 버튼
- ⑥ 앞으로 측면 버튼
- ⑦ USB 무선 수신기 (보관함)
- ⑧ 연결 모드 스위치
- ⑨ USB 및 충전 포트
- ⑩ DPI 광학 센서
- ⑪ DPI 버튼

시작 전 유의 사항

모든 기기는 더럽습니다!
사용 설명서는 기기를 효과적이고 안전적으로 사용하는 데에 대한 정보가 있습니다.

- 사용 설명서를 주의 깊게 읽으십시오.
- 사용 설명서를 잘 보관하고, 필요한 경우 다른 사용자에게 넘겨주십시오.
- 이 매뉴얼에는 우리가 귀하의 경험을 지속적으로 개선하기 위해 노력함에 따라 제품 업데이트가 포함되어 있지 않을 수 있습니다. 최신 작동 지침 및 제품 기능에 대한 자세한 내용은 CHERRY 공식 웹 사이트를 참조하십시오.

CHERRY MW 5500 은 (는) 게임 경험을 향상하기 위해 특별히 설계된 다목적 트라이 모드 마우스로 2.4 GHz 무선, Bluetooth 5.4 및 USB 케이블 연결을 지원 합니다.

- 3.5 페어링 무선 수신기

마우스와 무선 수신기는 미리 페어링되어 있어 즉시 사용 할 수 있습니다. 교체용 수신기를 페어링하거나 무선 연결 문제를 해결하려면 다음 단계를 수행하십시오.

기타 제품, 소프트웨어 다운로드 등에 관한 정보를 확인하려면 www.cherry-world.com 또는 www.cherry.kr 를 방문해 주십시오.

1 안전 주의사항

고정 충전식 배터리가 마우스에 장착되어 있습니다. 화재 위험을 방지하려면 리튬 배를 교체하지 마십시오. 부수거나, 가열하거나, 닦아서 파괴하지 마십시오.

RSI (Repetitive Strain Injury, 반복사용 증상군 증후군)는 컴퓨터, 키보드, 마우스를 장시간 사용하거나 적은 움직임은 반복함으로 인해 발생할 수 있습니다. RSI에 방을 위해 다음 사항을 권장합니다.

- 직업 공간을 인체 공학적으로 구성하십시오. 상하과 손목이 무리가 가지 않는 저전선러 위치에 키보드와 마우스를 배치하십시오.
- 적절한 스트레칭을 하고 짧은 휴식 시간을 갖는 것을 루틴에 포함하십시오.
- 무리가 가지 않도록 자세를 주기적으로 바꾸십시오.

2 마우스 켜기 / 끄기

2.1 마우스 켜기

· 제공된 USB 케이블을 사용하여 마우스를 컴퓨터에 연결합니다.

· 또는

- 마우스 하단에 있는 연결 모드 스위치를 (8) 또는 (6) 위치로 옮기십시오.

2.2 마우스 끄기

· USB 케이블을 분리합니다.

· 그리고

- 연결 모드 스위치를 (OFF) 위치로 옮기시오.

2.3 절전 모드

배터리 수명을 최대한 늘리기 위해 MW 5500 마우스는 두 가지 절전 모드를 제공합니다. 배터리를 사용할 경우, 마우스는 미리 설정된 휴면 시간이 지나면 절전 또는 최대 절전 모드로 전환되어 모든 상태 표시등이 비활성화됩니다.

마우스를 움직이면 절전 모드에서 해제됩니다. 최대 절전 모드에서 해제하려면 마우스의 아무 버튼이나 누르세요. 상태 표시등이 다시 작동할 때까지 계속 켜져 있습니다.

3 마우스를 기기에 연결하기

USB 케이블을 MW 5500 마우스 또는 2.4 GHz 무선 수신기를 사용하여 MW 5500 마우스를 컴퓨터 또는 기타 호환 기기에 연결할 수 있습니다.

상태 표시등의 동작은 연결 상태에 따라 달라집니다 .

상태	블루투스	2.4 GHz
연결을 기다리는 동안	진천히 깜박임	진천히 깜박임
페어링	빠르게 깜박임	빠르게 깜박임
연결됨	2 초 동안 계속 켜짐	2 초 동안 계속 켜짐

3.1 USB 케이블을 통해 마우스 연결하기

1 제공된 USB 케이블을 사용하여 마우스를 컴퓨터에 연결합니다.

2 연결 모드 스위치를 (OFF) 위치로 옮기시오 .

상태 표시기에 충전 상태가 표시됩니다. (8 마우스 충전 항목 참조)

3.2 블루투스를 통해 마우스 연결하기

3.2.1 블루투스 모드 활성화

· 연결 모드 스위치를 (8) 위치로 옮기시오 . 마우스는 이전에 페어링된 기기에 다시 연결을 시도합니다. (다음 섹션 참조)

· 저功率射頻器材之使用不得影響飛航安全及干擾合法通信；經發現有干擾現象時，應立即停用，並改善至無干擾時方得繼續使用。

· 前述合法通信，指依電信管理法規作業之無線電通信。

· 低功率射頻器材須符合合法通信或工業、科學及醫療用電波輻射性電機裝置之干擾。

3.2.2 장치에 다시 연결하기

블루투스 모드가 활성화되면 마우스는 이전에 페어링된 기기에 다시 연결을 시도합니다. 장치의 블루투스가 활성화되어 있고 가까이에 있는지 확인합니다 .

· 다시 연결하기 위해 실행되면 아무 마우스 버튼이나 클릭 리저 다시 시도하거나 3.2.4 를 참조하여 다시 페어링하십시오 .

3.2.3 새 기기에 연결하기

새 기기에 빠르게 연결하려면 3 개의 마우스 버튼 (왼쪽, 오른쪽, 스크롤 버튼) 을 5 초 동안 눌러 페어링 프로세스를 시작합니다 .

블루투스 채널이 이미 사용 중인 경우, 위의 방법을 사용하여 마우스를 새 기기와 페어링해야 합니다 .

3.2.4 기기와 페어링

마우스는 자동으로 또는 왼쪽, 오른쪽, 스크롤 휠 버튼을 5 초간 길게 누를 때 페어링 모드로 전환됩니다 . (자세한 내용은 위의 세 섹션을 참조하십시오) .

- MW 5500 마우스는 Swift Pair 를 지원합니다 . 장치에서 Swift Pair 가 활성화되면 새 블루투스 장치 "MW 5500" 가 감지되었다는 알림을 받게 됩니다 . 알림 알림에서 연결을 클릭하여 계속 진행합니다 .

· 또는 사용 가능한 블루투스 장치 목록에서 "MW 5500" 을 선택하여 블루투스 설정을 통해 마우스를 페어링할 수 있습니다 .

3.3 무선 수신기를 통해 마우스 연결하기

MW 5500 무선 수신기는 8K 볼륨 속도 데이터 전송을 지원 합니다. 아래 단계를 따라 2.4 GHz 무선 수신기를 사용하여 마우스를 연결합니다 .

- 1 연결 모드 스위치를 (8) 위치로 옮기시오 .
- 2 마우스 하단의 보관함에 USB 무선 수신기를 꺼냅니다 .

3 무선 수신기를 컴퓨터의 USB 포트에 꽂으십시오 .

· 제대로 꽂히지 않으면 확인하십시오 .

3.4 연결 실패 처리

연결 시도가 실행되면 마우스가 절전 (배터리 전원) 또는 대기 (USB 연결) 모드로 전환됩니다 . 다시 시도하거나 11 문제 해결 참조하십시오 .

3.5 페어링 무선 수신기

마우스와 무선 수신기는 미리 페어링되어 있어 즉시 사용 할 수 있습니다. 교체용 수신기를 페어링하거나 무선 연결 문제를 해결하려면 다음 단계를 수행하십시오.

1 연결 모드 스위치를 (8) 위치로 옮기시오 .

2 상태 표시기가 흰색으로 빠르게 깜박이기 시작할 때까지 세 개의 마우스 버튼 (왼쪽, 오른쪽, 스크롤 휠) 을 길게 누릅니다 .

3 무선 수신기를 컴퓨터의 USB 포트에 꽂으십시오 .

4 크로스 디바이스 기능 사용

MW 5500 마우스는 크로스 디바이스 기능을 갖추고 있어, 하나의 마우스와 키보드도 여러 기기를 원활하게 제어할 수 있습니다. 이 기능은 데스크톱, 노트북, 태블릿, 모바일 기기 등 여러 기기를 자주 전환하며 사용하는 사용자에게 특히 유용합니다.

4.1 기기 설정

이 기능을 사용하려면 모든 기기가 동일한 네트워크 (WiFi 또는 유선 네트워크) 에 연결되어 있어야 합니다 . 필요한 경우 방화벽 설정을 조정합니다 . 기기를 설정하려면 아래 단계를 따르십시오 .

- 1 연결하려는 모든 컴퓨터와 기기에 CHERRY 소프트웨어 또는 앱을 다운로드하여 설치합니다 .
- 2 다운로드 후 설치 프로그램을 실행합니다 .
- 4 화면에 표시되는 메시지에 따라 설정을 진행하십시오 .
- 3 CHERRY 소프트웨어를 열고 화면 안내에 따라 블루투스를 통해 추가 기기를 연결합니다 .
- 4 화면 설정을 완료한 후 기기 설정과 같은 설정을 워크플로에 맞게 조정합니다 .

주제 이 컴퓨터에서 Windows 운영 체제가 실행되고 있는지 확인합니다 . 이 설정의 다른 기기는 Windows, macOS, iOS 및 Android 을 포함할 여러 주요 운영 체제를 실행할 수 있습니다 . 모든 기기는 블루투스 상호 운용성 요구 사항을 충족해야 합니다 . 사용 중인 기기가 지원되는지 확인하려면 CHERRY 웹 사이트를 확인하십시오 .

4.2 기기 전환

여러 기기의 화면을 하나의 시스템처럼 마우스 포인터로 자유롭게 오갈 수 있습니다. 마우스 포인터만 한 화면의 가장자리에 도달하면 인접한 기기까지 화면은 자동으로 전환됩니다 . 키보드 입력도 마우스를 따르므로 마우스 기기로 함께 전환됩니다 .

4.3 기기 간 정보 공유

이 혁신적인 기능은 사용자가 다음과 같은 작업을 수행할 수 있도록 하여 생산성을 향상하도록 설계되었습니다 .

- 기기 간에 파일과 텍스트를 전송합니다 .
- 복사 및 붙여넣기 명령을 사용하여 기기 간에 파일, 이미지 또는 텍스트를 전송할 수 있습니다 .
- 휴대폰 또는 다른 컴퓨터의 화면을 기본 기기에 미리 렌더링합니다 .
- 태블릿을 확장 모니터로 사용합니다 .

5 마우스 감도 설정

CHERRY 소프트웨어를 사용하면 센서 해상도 (DPI), 롤링 속도, 리프트 오프 거리 (LOD), 응답 시간 등 모든 주요 감도 매개변수를 세밀하게 조정할 수 있습니다 .

5.1 DPI 설정 변경

DPI 버튼을 눌러 6 개의 기본 설정 DPI 단계 중 하나를 차례로 선택합니다 . DPI 가 변경되면 상태 표시등이 해당 설정으로 3 회 깜박이기를 확인할 수 있습니다 .

· CHERRY 소프트웨어를 사용하여 각 단계와 관련된 DPI 값을 구성할 수 있습니다 . DPI 값이 높을수록 마우스 포인터가 더 빠르게 움직입니다 .

· 마우스 양쪽 측면 버튼과 왼쪽 버튼을 3 초 동안 길게 누르면 마우스가 공장 설정으로 복원됩니다 . 초기화 가 완료되면 상태 표시등이 초록색으로 3 번 빠르게 깜박이 이를 확인하실 수 있습니다 .

5.2 DPI 설정 변경

· CHERRY 소프트웨어를 사용하여 마우스 포인터가 더 빠르게 움직입니다 .

5.3 롤드 변경

· 리프트 오프 거리 (LOD) 는 마우스를 마우스패드나 책상과 같은 추적 표면에서 들어 올렸을 때, 마우스 센서가 움직임을 감지하는 높이를 의미합니다 . 이 높이를 낮추면 화면상의 포인터는 더 이상 반응하지 않습니다 . LOD 는 0.7mm, 1mm (기본값) 또는 2mm 로 설정할 수 있습니다 .

6 CHERRY 소프트웨어 및 앱 사용

MW 5500 마우스의 모든 기능을 활용하려면 , PC 에 있는 CHERRY 소프트웨어를 , 모바일 기기에는 CHERRY 앱을 설치하십시오 . CHERRY 소프트웨어는 다음과 같은 작업으로 제어 역할을 수행합니다 .

· 소프트웨어와 마우스의 펌웨어를 업데이트합니다 .

· 원활한 기기 간 연결 및 기능 연동을 지원합니다 .

· 매크로를 생성, 기록 및 편집하여 운영 및 게임 플레이를 간소화합니다 .

· 마우스 버튼을 클릭, 매크로, 텍스트 조각 또는 시스 템 작업을 할당합니다 .

· 마우스의 성능 매개변수를 정밀하게 조정하여 맞춤형 경험을 사용자 정의합니다 .

· 마우스의 성능 매개변수를 정밀하게 조정하여 맞춤형 경험을 사용자 정의합니다 .

· 마우스의 성능 매개변수를 정밀하게 조정하여 맞춤형 경험을 사용자 정의합니다 .

· 마우스의 성능 매개변수를 정밀하게 조정하여 맞춤형 경험을 사용자 정의합니다 .

· 마우스의 성능 매개변수를 정밀하게 조정하여 맞춤형 경험을 사용자 정의합니다 .

· 마우스의 성능 매개변수를 정밀하게 조정하여 맞춤형 경험을 사용자 정의합니다 .

· 마우스의 성능 매개변수를 정밀하게 조정하여 맞춤형 경험을 사용자 정의합니다 .

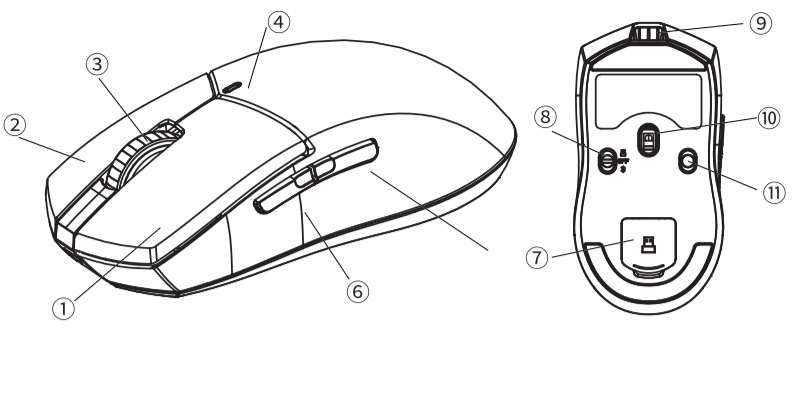
· 마우스의 성능 매개변수를 정밀하게 조정하여 맞춤형 경험을 사용자 정의합니다 .

· 마우스의 성능 매개변수를 정밀하게 조정하여 맞춤형 경험을 사용자 정의합니다 .

· 마우스의 성능 매개변수를 정밀하게 조정하여 맞춤형 경험을 사용자 정의합니다 .

· 마우스의 성능 매개변수를 정밀하게 조정하여 맞춤형 경험을 사용자 정의합니다 .

· 마우스의 성능 매개변수를 정밀하게 조정하여 맞춤형 경험을 사용자 정의합니다 .



- 블루투스 설정에서 기존 마우스 연결을 제거한 다음 마우스를 새 기기로 다시 추가하여 연결하십시오 .
- 4 화면에 표시되는 메시지에 따라 설정을 진행하십시오 .

6.2

6.2 기기에 CHERRY 앱 설치

· 4 화면 설정을 완료한 후 기기 설정과 같은 설정을 워크플로에 맞게 조정합니다 .

주제 이 컴퓨터에서 Windows 운영 체제가 실행되고 있는지 확인합니다 . 이 설정의 다른 기기는 Windows, macOS, iOS 및 Android 을 포함할 여러 주요 운영 체제를 실행할 수 있습니다 . 모든 기기는 블루투스 상호 운용성 요구 사항을 충족해야 합니다 . 사용 중인 기기가 지원되는지 확인하려면 CHERRY 웹 사이트를 확인하십시오 .

4.2 기기 전환

여러 기기의 화면을 하나의 시스템처럼 마우스 포인터로 자유롭게 오갈 수 있습니다. 마우스 포인터만 한 화면의 가장자리에 도달하면 인접한 기기까지 화면은 자동으로 전환됩니다 . 키보드 입력도 마우스를 따르므로 마우스 기기로 함께 전환됩니다 .

4.3 기기 간 정보 공유

이 혁신적인 기능은 사용자가 다음과 같은 작업을 수행할 수 있도록 하여 생산성을 향상하도록 설계되었습니다 .

- 기기 간에 파일과 텍스트를 전송합니다 .
- 복사 및 붙여넣기 명령을 사용하여 기기 간에 파일, 이미지 또는 텍스트를 전송할 수 있습니다 .
- 휴대폰 또는 다른 컴퓨터의 화면을 기본 기기에 미리 렌더링합니다 .
- 태블릿을 확장 모니터로 사용합니다 .